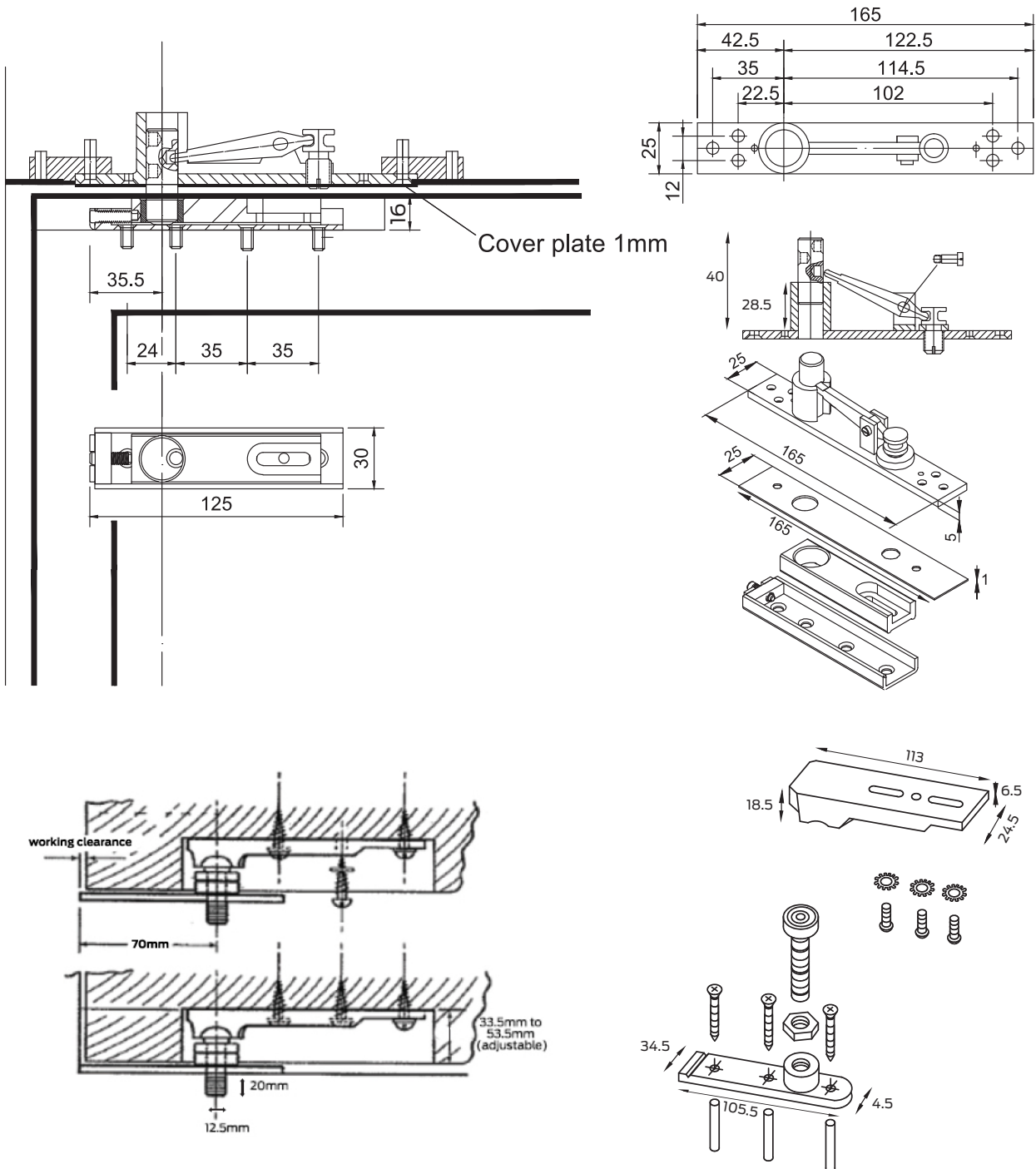


Briton

Briton 2800 Pivot Set Installation Instructions

Max Door Weight 80kg

1. Mill or route door and frame to accept relevant top and bottom components.
2. Locate bearing plate on floor and ensure bottom pivot is in line with top pivot.
3. Recommended minimum distance from jamb to pivot centre line is 70mm.
4. Set height of bottom pivot screw and secure with lock nut. (1 turn gives 2mm adjustment)
5. Recommended minimum door clearance is 3mm at top of door and 5mm at bottom of door.
6. Recommended minimum door clearance at stile is 5mm based on a 40mm door thickness.
(Additional clearance may be required for larger door thicknesses)



Allegion Australia
 Freephone 1800 098 094
 Freefax 1800 098 095
 Email auinfo@allegion.com
www.allegion.com.au

Allegion New Zealand
 Freephone 0800 477 869
 Freefax 0800 477 868
 Email nzinfo@allegion.com
www.allegion.co.nz

© 2015 Allegion

